

**WORTEX<sup>®</sup>**

**Model:  
CRC 3018**

**Operating instructions  
and maintenance  
Cordless cultivator**



**EN English - 2  
RU Русский - 13**

**XLT**

**✓  
RoHS  
COMPLIANT**

**CE EAC**

# **WORTEX** Operation and maintenance instructions Cordless cultivator

## **Dear customer!**

We are constantly working to improve and enhance products under our brand. **WORTEX** Therefore, technical specifications, design, and configuration are subject to change without prior notice. We sincerely apologize for any inconvenience this may cause.

Check for any mechanical damage and for the presence of the operating manual and warranty card. Ensure the warranty repair card includes the store stamp, date of sale, and the seller's signature.

Battery-powered cultivator **WORTEX** is a household product. The cultivator is designed for cultivating and tilling soil in gardens and homesteads. The cultivator and its parts are packaged for safe storage and transportation. The tool is designed for use in temperate climates at ambient temperatures up to 35°C.



Please read this operating and maintenance manual carefully. Keep it in a safe place.

**CAUTION** - To reduce the risk of injury, please read the operating instructions!

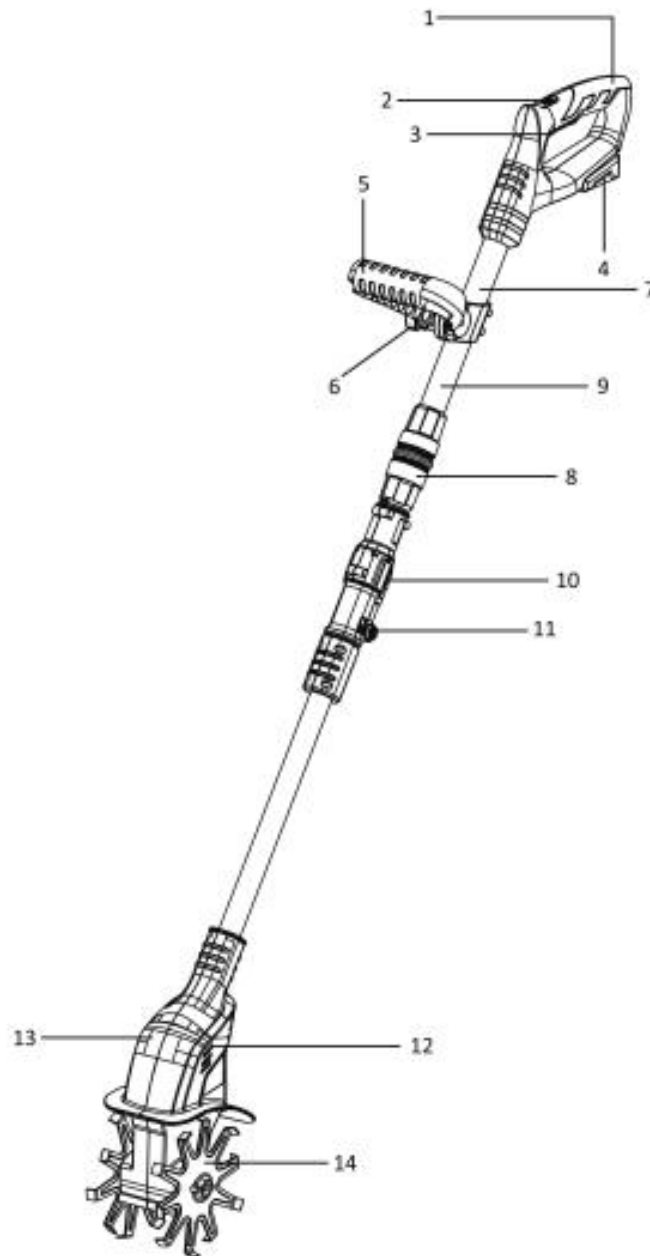
This power tool is not intended for use by persons (including children) with reduced physical, sensory or mental capabilities, or lack of experience and knowledge, unless they have been given supervision or instruction concerning use of the appliance by a person responsible for their safety. Children should be supervised to ensure that they do not play with the power tool.

Before installing the battery and turning on the product, always check that the power button is in the "OFF" position and is working properly.

If there is a lock on the power button, when the power supply is interrupted, be sure to turn the switch to the OFF position to prevent the product from turning on accidentally.

When working, use headphones, gloves, safety glasses, and a respirator.

## Equipment Description



- 1 Upper handle
- 2 Power lock button
- 3 Power button
- 4 Battery connector
- 5 Additional handle
- 6 Additional handle fastening
- 7 Telescopic pole
- 8 Rod length regulator
- 9 Telescopic pole
- 10 ,11 Cultivator working part retainer
- 12 Ventilation holes
- 13 Motor housing
- 14 Milling cutter

**WORTEX** Operation and maintenance instructions  
Cordless cultivator

**Delivery set**

This model is available in several configurations depending on the article number.

Article number 1335864	Article number 1335865
<ul style="list-style-type: none"> <li>- Battery-powered cultivator in disassembly;</li> <li>- Additional handle;</li> <li>- Milling cutter (knife) – 2 pcs;</li> <li>- Operation manual – 1 pc.</li> </ul>	<ul style="list-style-type: none"> <li>- Battery-powered cultivator in disassembly;</li> <li>- Additional handle;</li> <li>- Milling cutter (knife) – 2 pcs.</li> <li>- Operation manual – 1 pc. - WORTEX CBL 1840-1 battery – 1 pc;</li> <li>- Charger WORTEX FC 1515-2 – 1 pc.</li> </ul>

**Technical specifications**

Parameter name	CRC 3018
Battery voltage	18 B
Nominal speed, rpm	250
Processing width	10.5 cm
Processing depth	up to 15 cm
Number of cutters (knives)	2
Degree of protection	IPX0
Diameter of cutters (knives)	15 cm
Thickness of the metal of the cutters (knives)	1.7 mm
Net weight, kg	2.7 kg

This appliance is intended for household use only. Periodically stop using the tool to allow the motor and other parts to cool, which will prolong the life of your tool.

**The operating temperature range for power tools is from +5°C to +35°C.**

It is not recommended to use the tool at ambient temperatures below +5°C or above +35°C.

**The stated technical characteristics may vary within ±5%.**

**Compatible WORTEX batteries and chargers:**

- Battery WORTEX CBL 1820 18.0 V, 2.0 Ah, Li-Ion ALL1,
- Battery WORTEX CBL 1820-1 18.0 V, 2.0 Ah, Li-Ion ALL1,
- Battery WORTEX CBL 1840 18.0 V, 4.0 Ah, Li-Ion ALL1,
- Battery WORTEX CBL 1840-1 18.0 V, 4.0 Ah, Li-Ion ALL1,
- Battery WORTEX CBL 1860 18.0 V, 6.0 Ah, Li-Ion ALL1,
- Charger WORTEX FC 2115-1,
- Charger WORTEX FC 2120-1 ALL1,
- Charger WORTEX FC 1515-1 ALL1,
- Charger WORTEX FC 2110-1 ALL1,
- Charger WORTEX FC 2115-2 ALL1,
- Charger WORTEX FC 2120-2 ALL1.

**Safety regulations**

SAVE THESE INSTRUCTIONS

The cultivator is designed for digging and loosening soil in small areas to eliminate weeds and enrich the soil with oxygen. Do not use the cultivator on uncultivated soil or for plowing turf. The soil must first be tilled, plowed, and cleared of foreign objects.



**ATTENTION!** Using the cultivator for any purpose other than those specified in this manual constitutes a violation of the safe operating conditions and will void the supplier's warranty. The manufacturer and supplier are not liable for damage resulting from improper use of the cultivator.

# **WORTEX** Operation and maintenance instructions Cordless cultivator

Read this manual carefully. Familiarize yourself with the cultivator before using it. Familiarize yourself with the control levers. Know what to do in an emergency. Pay particular attention to the information preceded by the following headings:

**WARNING!** Indicates a hazardous situation which, if not avoided, could result in death or serious injury.

**CAREFULLY!** Indicates a hazardous situation which, if not avoided, may result in moderate injury.

**ATTENTION!** Indicates the possibility of equipment damage if the operating instructions for the product are not followed.

## **General safety rules when working with power tools**

- Power tools are hazardous equipment. Use power tools safely to avoid risk of injury. Read and understand the safety instructions for using power tools carefully before using them.

Minors are not allowed to operate the cultivator. Keep children, strangers, and animals away from the work area while working. The safe working area must be at least 15 meters.

- The cultivator user is responsible for any potential danger to other persons or their property!
- Carefully inspect the area where the cultivator will be used and remove any objects that it may throw.
- Only rested, healthy, and physically fit people should operate a cultivator. Do not operate a cultivator after consuming alcohol or medications that impair reaction time and coordination.
- Do not make any changes to the design of the cultivator, as this may cause an accident or damage to the device.
- Always wear safety glasses when working.
- It is necessary to wear sturdy, safe shoes with non-slip soles.
- Do not use the cultivator if the engine stop lever does not work.
- Do not use any cutting attachments with this cultivator other than those recommended by the manufacturer, as they may cause serious injury or damage to the mechanism.
- Before turning on the engine, make sure that the cultivator cutters do not come into contact with foreign objects.
- Check the cultivator for loose parts (nuts, bolts, screws, etc.)



**CAREFULLY!** Do not place hands or feet under the cutters while working. Risk of serious injury.

- Always turn off the engine when moving to another work area.
- Do not attempt to clean the cutters while they are rotating. First, turn off the motor and wait until the cutters come to a complete stop.



**ATTENTION!** If you hit a rock or other foreign object, immediately turn off the engine and check the condition of the cutters. Do not use damaged cutters.

- Operate the cultivator only in daylight or good artificial light.
- Always maintain a stable body position while working.
- Never make adjustments or settings while the cultivator engine is running.
- When working on a slope, always move across the slope.
- Keep the cultivator handles dry and clean while working.
- Inspect and maintain your cultivator regularly.
- Avoid switching on frequently for short periods of time, especially avoid playing with the switch.

## **Safety rules for servicing cordless tools**

- Before starting work, turn on the device for 30 seconds without any load. If you notice excessive vibration, unusual noise, excessive sparking, or any other malfunction, turn off the device immediately. Contact a service center to have the problem resolved.

- Immediately turn off the electric motor and remove the battery if the tool hits a fence or other hard object. Inspect the cutting unit for damage; if any, repair it immediately.

- Entrust repair and maintenance of your cordless tool only to authorized service centers and qualified personnel using only genuine spare parts. Unqualified repairs or modifications to the device's design do not guarantee the proper operation or safety of the tool.

# **WORTEX** Operation and maintenance instructions Cordless cultivator

## Workplace

Do not expose the product to precipitation, dampness or humidity.

- Power tools create sparks that can ignite dust, steam, flammable liquids and gases.
- Keep children and visitors at a safe distance from operating power tools and keep them out of the work area.
- When not in use, tools should be stored in a dry, locked place out of the reach of children.
- Before starting work, check the work area for hidden utilities (gas, water, electrical or telephone wiring, etc.).
- Avoid mechanical damage, impacts, dropping the instrument on hard surfaces, etc.
- Protect the instrument from exposure to intense heat sources or chemically active substances, as well as from liquids and foreign solid objects getting inside the product.

## Electrical safety

Use only original batteries. Using incompatible batteries may result in tool failure, personal injury, and fire hazard.

Charge batteries only with the original charger. Using third-party chargers may damage the battery.

Do not disassemble the charger.

**Use the appropriate power supply voltage to charge the battery.:** The supply voltage must match the information specified in the technical specifications of the device.

Handle the charger's power cord carefully. Never use the cord to carry the charger or pull the plug from the outlet. Keep the cord away from high temperatures, oily liquids, sharp edges, or moving parts. Replace a damaged cord immediately at the nearest service center.



Do not open the battery under any circumstances. This may cause injury, chemical burns, short circuits, or even fire! Do not expose power tools to rain or wet conditions.

## Emergency situations

**Please familiarize yourself with the proper use of this product by reading this manual. Please understand the safety instructions and follow them carefully. This will help prevent risks and hazards.**

1. Use this tool with care to identify and address hazards promptly. Prompt intervention can prevent serious injury or property damage.
2. If any malfunction occurs, turn off the tool. Before using the tool again, have it checked by a qualified technician and repaired if necessary.

**Warning!** This tool generates an electromagnetic field during operation! This field may, under certain circumstances, interfere with the operation of active or passive medical implants. To reduce the risk of serious or fatal injury, individuals with medical implants should consult a physician and the manufacturer of the medical implant before using this product.

**Use the appropriate power supply voltage to charge the battery.:** The power supply voltage must match the information specified in the technical specifications of the device.

You should stop using the device immediately in the following cases:

1. Damaged or broken switch (does not turn the device on or off).
2. The appearance of smoke or a burning smell.

## **Preparation for operation**

### Charging the battery

**Please pay attention to the correct network voltage!**

The power source voltage must match the specifications on the charger's nameplate. The charge level can be checked on the battery indicator.



# **WORTEX** Operation and maintenance instructions Cordless cultivator

When charging a 2Ah battery, the estimated charge time is up to 1.5 hours. For a 4Ah battery, it's up to 3 hours. Charging times may vary depending on the ambient temperature and power supply voltage.

## **To charge the battery, follow these steps:**

- Remove the battery from the tool. To do this, press the battery latch and pull the battery out;
- Connect the battery to the charger included in the kit;
- Make sure your power supply meets the following requirements: ~230V / 50Hz. Connect the charger to the power supply.

**To charge the battery, use only the original WORTEX charger.**

## **Recommendations for battery operation:**

- These batteries are designed using Li-Ion technology.
- This type of battery does not need to be fully charged.
- It is not recommended to deeply discharge the battery.
- Do not store this battery in a discharged state.
- Do not expose the battery to high temperatures, direct sunlight, or moisture. Do not throw or drop the battery.
- Do not attempt to open or repair the battery.
- Do not short-circuit the battery contacts.
- If the charger indicator does not turn off after the specified charging time, stop the charging process and contact the service center.

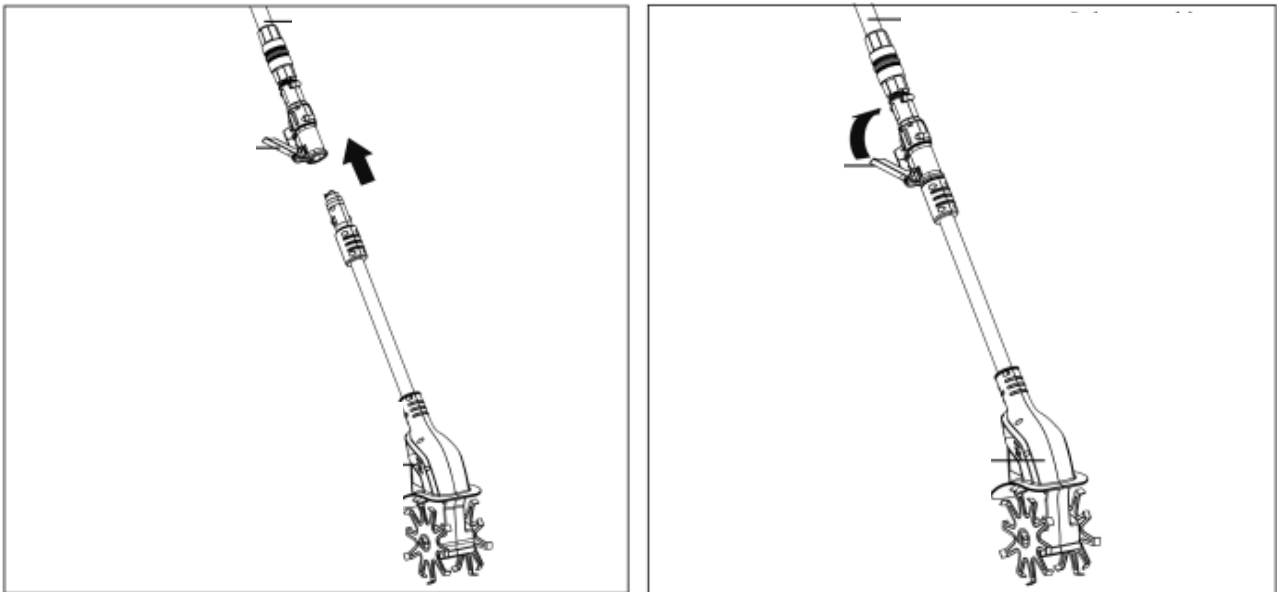
**ATTENTION!** If the battery runs low during use and the tool stops operating, do not press the trigger again—this may shorten the battery's life or damage it. Recharge the battery before continuing use.

**Important!** When the battery charge drops, the risk of the cultivator's engine protection system being activated increases. It is recommended to avoid deep battery discharge.

## **Assembly**

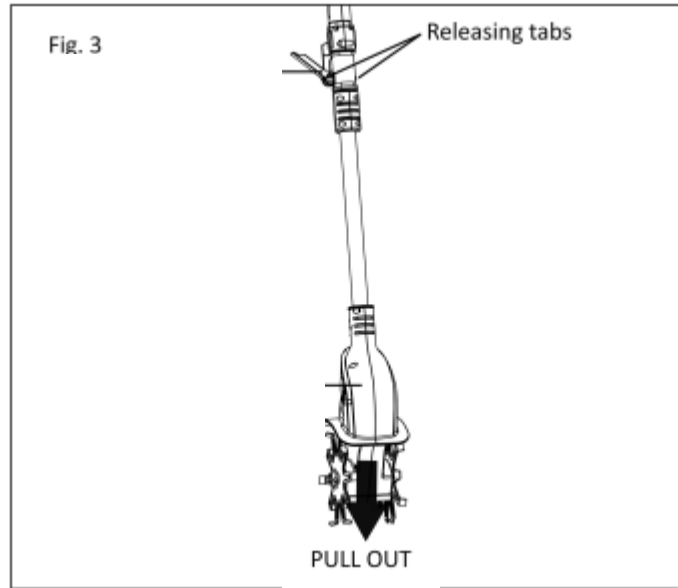
**CAREFULLY!** Assembly must be performed without the battery connected. The cultivator must be fully assembled before use.

Connect the two parts of the telescopic rod and fix them as shown in the pictures below:



To detach the lower part of the rod from the upper part, unlock the lock, simultaneously press the additional locking buttons on the sides and pull the lower part of the rod down as shown in the figure below:

# **WORTEX** Operation and maintenance instructions Cordless cultivator



## **Operation**

**Attention!** Power tool operating mode: S2 (30 minutes work, 15 minutes break).

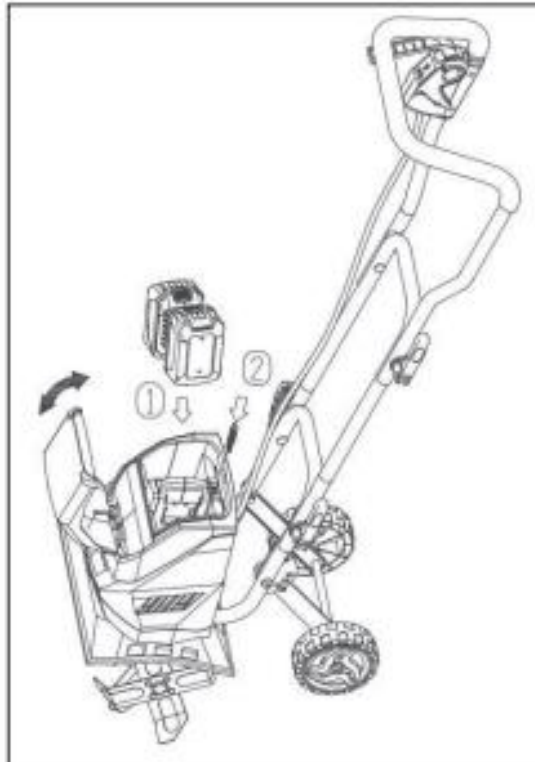
### **Installing/removing batteries**

1. Open the battery compartment cover (6), align the guide ribs on the battery with the grooves in the battery compartment, and slide the battery vertically downwards.

**Note:** Before starting work, make sure the latch on the bottom of the battery is latched and the batteries are fully installed and securely fastened in the device.

2. Insert the safety key into the socket and close the battery compartment cover (6).

**Attention:** If you are not going to use the tool immediately, do not insert the safety key!



To remove the batteries, follow these steps:

1. Remove the safety key;

# **WORTEX** Operation and maintenance instructions Cordless cultivator

2. Press and hold the battery release button located at the bottom of the battery.
3. Remove the batteries from the device.

## **On/Off**

To prevent accidental switching on of the device, a power lock button (12) is provided. To start the cultivator, press the button (12) and then press the power lever (13). The cultivator will continue to work as long as you press the switch lever (13). To stop the cultivator, release the switch lever (13).

**Attention!** After the device is switched off (the power lever is released), the discs (cutters) continue to rotate for some time!

## **Job**

**Attention!** It is prohibited to use the cultivator on uncultivated land, as well as for plowing turf; it is necessary to pre-treat, plow the soil and remove foreign objects from it.

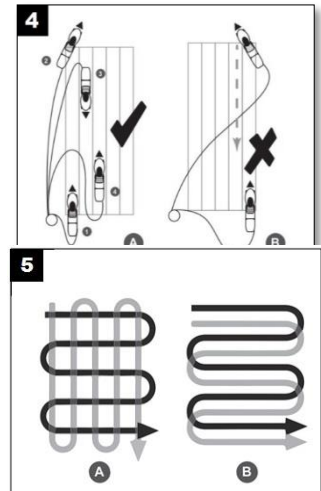
Grasp the cultivator handles with both hands. Turn on the cultivator as described above. Place the extension cord near the starting point (Fig. 4A, position 1).

- Treat the area in the sequence shown in Fig. 4 A:
- move from position 1 to position 2;
- turn right and continue working to position 3;
- turn left and continue to position 4;
- Repeat these operations in the same order, all the while moving away from the cable.

**Attention!** The method of processing where the cultivator advances in the direction of the cable is prohibited, which is associated with the risk of damaging it (Fig. 4 B).

Optimal cultivation patterns for the site are shown in Fig. 5.

**Attention!** If the cutter hits a foreign object, release the power lever (13).



## **Recommendations**

Only turn on the machine after it has been delivered to the intended use location. Always hold the machine with both hands.

To avoid damaging the extension cord, always keep it behind you. The machine is driven forward by the cutters.

The cutters must be immersed into the ground slowly.

Do not forget to adjust the height of the support wheel frame before starting operation.

When deep cultivating the soil, the most effective method is to first move the cultivator forward at arm's length, then pull it back (towards you), and then repeat the same steps again.

Cutters should always operate at maximum speed. Avoid overloading.

If the cutters dig deep into the ground, remove them by rocking the machine from side to side and applying the brakes until they are free.

## **Cleaning the cutters**

After each use, clean the bottom of the cultivator around the discs. Dirt is removed from the blades more easily if this is done immediately after use rather than after the cultivator has dried.

1. Turn off the engine. Disconnect the cord from the socket.
2. Remove vegetation, ropes, wires and other materials that may become tangled around the axle.
3. Always wipe the cultivator dry after use and apply a thin layer of oil or silicone to the tines to prevent rust and water damage.
4. Do not use dull knives, replace them at a specialized service center.

## Maintenance

**ATTENTION!** Before performing any maintenance work or other operations on the discs, the tool must be disconnected from the power supply.

- Never touch the cutters until the cutters have come to a complete stop.
- Always wear gloves. When performing maintenance, repairs, or replacing individual components, use only original consumables and spare parts recommended by the manufacturer.

**ATTENTION!** The use of non-original spare parts or spare parts of inadequate quality may result in damage to the cultivator and is not covered by warranty.

- Remove dirt and grass from the cultivator after each use.
- Before long-term storage, to prevent corrosion, coat all metal parts with grease.
- To clean plastic parts, use a damp cloth. For heavy soiling, compressed air can be used.
- For cleaning, do not use chemically active substances (acids, alkalis), especially solvents, gasoline, ammonia, as they can damage the device, as well as sharp objects.
- Regularly clean ventilation openings and moving parts from dust and dirt.
- If the tines are worn or broken, they must be replaced at an authorized service center. Failure to properly maintain the tines will result in reduced tillage efficiency or engine overload. Always wear protective gloves when handling the tines.
- All gears are supplied with factory lubrication. However, the gearbox should be lubricated once a year at an authorized service center.
- After each use, the cultivator must be thoroughly cleaned of grass residue. Careful maintenance protects the device from damage and extends its lifespan.

## Storage and disposal

- The storage area must be dry and dust-free. Keep the device out of the reach of children. Any malfunctions should be corrected before storing the machine to ensure it is always ready for use. The handle can be folded to save space. Be careful not to pinch the cable when folding the handle.

The cultivator is not classified as regular household waste. If disposed of, it must be taken to a designated waste collection point. The packaging and packaging materials of the instrument should be recycled. The packaging must be disposed of in an environmentally responsible manner in accordance with current regulations and standards. This operating manual is made from recycled paper.

### LIMIT STATES CRITERIA, CRITICAL FAILURES AND STAFF ACTIONS

#### Erroneous actions of personnel that lead to an incident or accident

To prevent errors, personnel must carefully read the operating manual before using the device. Following the instructions and recommendations in the operating manual will prevent potential errors while operating the device, ensure optimal operation, and extend its service life.

#### Common Mistakes

Starting to operate the device without reading the operating manual and becoming familiar with the heater device.

Leaving the device in operation unattended.

Allowing persons (including children) with reduced physical, sensory or mental capabilities or lack of life experience or knowledge to use the device.

Failure to use personal protective equipment (headphones, glasses or protective mask) when operating the device.

#### List of critical failures

Failure of control elements.

Failure of the main power components.

Critical damage to body elements.

#### Personnel actions in the event of an incident, critical failure or accident

In the event of an incident, critical failure and/or accident, further work should be stopped and the cause of the incident should be assessed.

# **WORTEX** Operation and maintenance instructions Cordless cultivator

If the equipment fails and there is no information in the operating instructions on how to troubleshoot the problem, you must contact the service department.

Replacement of worn parts must be performed by qualified service personnel.

### **Limit state criteria**

The criteria for a device's ultimate state are failures (wear, corrosion, deformation, aging, cracks, or fractures) of components or parts, or a combination thereof, that cannot be repaired at authorized service centers using original parts, or that repair is economically unfeasible. A device and its parts that are no longer serviceable must be taken to designated recycling centers.

## **Troubleshooting**

<b>Typical malfunctions</b>	<b>Possible causes</b>	<b>Methods of elimination</b>
The engine won't start	There is no electricity	Check your network connection
	Faulty cable	Check the cable, replace the cable with a new one at a specialized service center
	Faulty switch/plug/socket.	Check the plug and socket. Replace the cable, socket, or switch with a new one at a specialized service center.
	The overheat protection has been activated	Allow the engine to cool for about 15 minutes. (Working depth too deep - use a shallower depth setting; blades blocked by a foreign object - remove foreign objects in the soil; soil too hard or sticky - select the correct tillage depth and go back and forth in the area several times)
Excessive or unusual noise	Cutter jamming	Allow 15 minutes. Turn off the cultivator and let the cutters come to a complete stop. Remove any foreign objects.
	Lack of lubrication in the gearbox	Contact an authorized service center authorized by the manufacturer.
	Loosening of bolts, nuts or protective elements	Tighten all necessary components or contact a specialized service center.
Excessive vibration	Too much tillage depth	Set the correct working depth
	The cutters are damaged or worn out	Replace the cutters or contact an authorized service center authorized by the manufacturer.
Low work efficiency	Too shallow tillage depth	Set the correct depth
	Excessive wear of cutters	Replace the cutters or contact an authorized service center authorized by the manufacturer.

**ATTENTION!** For your own safety, never disassemble, assemble, or replace parts or accessories on a power tool while the device is in operation. If the power tool malfunctions or is damaged, have it repaired only by authorized service centers.

## **Warranty obligation**

For the tool **WORTEX** A warranty is provided in accordance with the laws and specific requirements of each country. If warranty periods are not established by law, they are established by the sales representative responsible for selling our products.

# **WORTEX** Operation and maintenance instructions Cordless cultivator

The warranty period begins on the date of sale of the instrument, and is confirmed by a correctly completed warranty card, the presence of a sales receipt or a document replacing it.

To receive warranty service, please contact the nearest service center that repairs our tools.

When returning the tool to the service center, you must present it in a clean condition with a note indicating the defect, in the original packaging, with the operating instructions and a completed warranty card, as well as the sales receipt or a document replacing it.

Assembly defects of the product caused by the manufacturer will be corrected free of charge after the service center carries out diagnostics of the product.

If the malfunction occurs due to the user's fault, the cost of repair services is borne by the user.

The time frame for completing the work depends on the complexity of eliminating the cause of the defect and is determined by the service center that accepted the instrument for repair.

Warranty service is not provided in the following cases:

- Using the tool for purposes not specified in the operating instructions;
- Absences:
  1. A correctly completed warranty card, a sales receipt confirming the date of purchase and the warranty period, or another document replacing it;
  2. Operating instructions, stickers on the tool with the manufacturer's serial number;
- Natural wear and tear of mechanisms and components that have a limited service life;
- Prevention and replacement of quickly wearing parts;
- Overload or intensive use resulting in:
  1. simultaneous failure of one or more functionally related parts and assemblies;
  2. combustion, charring, melting under the influence of high internal temperature parts (heating elements, buttons, wires, housings);
- mechanical damage, presence of foreign objects inside;
- opening, as well as repairs that were not carried out by specialists from service centers that repair the instrument **WORTEX**.

The warranty does not cover consumables and accessories that are partially included in the delivery package.

Relations between the consumer and the manufacturer in the event of identified product defects are carried out in accordance with the Law on the Protection of Consumer Rights.

In case of using the tool for production purposes, the warranty period may be shortened.

**Warranty period: 12 months.**

**Manufacturer:** ECO GROUP HONG KONG LIMITED, UNIT 617, 6/F, 131-132 CONNAUGHT ROAD WEST, SOLO WORKSHOPS, HONG KONG, at the manufacturing plant for Wortex (Germany).

The product has a service life of 5 years if used correctly.

Upon expiration of the service life, it is necessary to carry out maintenance by qualified specialists at the service center at the owner's expense, with the removal of wear products and dust.

Use of the product after its service life is permitted only if it complies with the safety requirements of this manual.

If the product does not meet safety requirements, it must be disposed of.

This product (including batteries) is not classified as household waste. If disposed of, please take it to a designated waste collection point.

**The production date (month and year) is indicated on the label on the product body.**

**I have read the terms of warranty service.**

**The product was tested upon purchase.**

**I have no complaints about the packaging, accessories or appearance.**

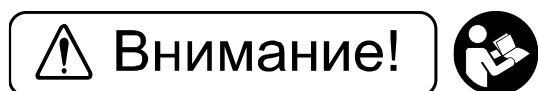
**Buyer's signature** \_\_\_\_\_

### Уважаемый покупатель!

Мы постоянно работаем над улучшением и усовершенствованием изделий под торговой маркой **WORTEX**. В связи с этим технические характеристики, дизайн и комплектация могут меняться без предварительного уведомления. Приносим Вам наши глубочайшие извинения за возможные причиненные этим неудобства.

Проверьте отсутствие механических повреждений, наличие руководства по эксплуатации, гарантийного талона. Убедитесь, что в талоне на гарантийный ремонт поставлены: штамп магазина, дата продажи и подпись продавца.

Культиватор аккумуляторный **WORTEX** является изделием бытового назначения и предназначен для обработки и культивации земли в садах и на приусадебных участках. Культиватор и его части упакованы для безопасного хранения и транспортировки. Инструмент предназначен для эксплуатации в районах умеренного климата при температуре окружающего воздуха до плюс 35°C.



Внимательно изучите данную инструкцию по эксплуатации и техническому обслуживанию. Храните её в защищенном месте.

**ВНИМАНИЕ** - для уменьшения риска получения повреждения необходимо прочитать инструкцию по эксплуатации!

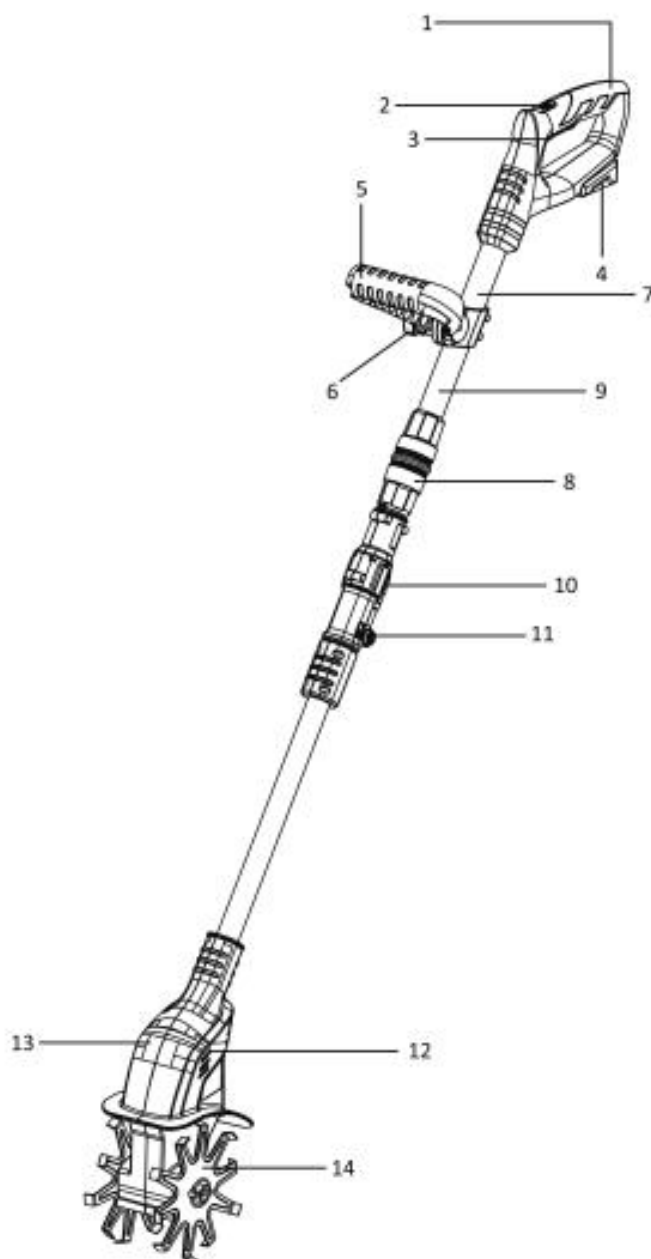
Данный электроинструмент не предназначен для использования лицами (включая детей) с пониженными физическими, чувственными или умственными способностями, или при отсутствии у них жизненного опыта или знаний, если они не находятся под контролем или не проинструктированы об использовании прибора лицом, ответственным за их безопасность. Дети должны находиться под контролем для недопущения игры с электроинструментом.

Перед установкой аккумуляторной батареи и включением изделия, всегда проверяйте, что кнопка включения находится в положении «ВЫКЛ» и работает должным образом.

При наличии блокиратора на кнопке включения при прекращении энергоснабжения, обязательно переводить выключатель в положение ВЫКЛ для предотвращения самопроизвольного включения изделия.

При работе использовать наушники, перчатки, защитные очки, респиратор.

## Описание оборудования



1. Верхняя рукоятка
2. Кнопка блокировки включения
3. Кнопка включения
4. Коннектор для батареи
5. Дополнительная рукоятка
6. Крепеж дополнительной рукоятки
7. Телескопическая штанга
8. Регулятор длины штанги
9. Телескопическая штанга
10. ,11 Фиксатор рабочей части культиватора
12. Вентиляционные отверстия
13. Корпус двигателя
14. Фреза

## Комплект поставки

Данная модель поставляется в нескольких вариантах комплектации в зависимости от артикула.

Артикул 1335864	Артикул 1335865
- Аккумуляторный культиватор в разборе; - Дополнительная рукоятка; - Фреза (нож) – 2 шт; - Руководство по эксплуатации – 1 шт.	- Аккумуляторный культиватор в разборе; - Дополнительная рукоятка; - Фреза (нож) – 2 шт - Руководство по эксплуатации – 1 шт. - Аккумулятор WORTEX CBL 1840-1 – 1 шт; - Зарядное устройство WORTEX FC 1515-2 – 1 шт.

## Технические характеристики

Наименование параметра	CRC 3018
Напряжение аккумулятора	18 В
Номинальное число оборотов, об/мин	250
Ширина обработки	10,5 см
Глубина обработки	до 15 см
Количество фрез (ножей)	2
Степень защиты	IPX0
Диаметр фрез (ножей)	15 см
Толщина металла фрез (ножей)	1,7 мм
Масса нетто, кг	2,7 кг

Устройство предназначено только для бытового применения. Необходимо периодически прекращать работу инструмента для охлаждения двигателя и других частей, что позволит продлить срок службы вашего инструмента.

**Диапазон температуры при эксплуатации электроинструмента от +5°C - +35°C.**

При температуре окружающей среды ниже +5°C или выше +35°C использование инструмента не рекомендуется.

**Указанные технические характеристики могут варьироваться в пределах ±5%.**

### Подходящие батареи и зарядные устройства WORTEX:

Аккумулятор WORTEX CBL 1820 18.0 В, 2.0 Ач, Li-Ion ALL1,  
Аккумулятор WORTEX CBL 1820-1 18.0 В, 2.0 Ач, Li-Ion ALL1,  
Аккумулятор WORTEX CBL 1840 18.0 В, 4.0 Ач, Li-Ion ALL1,  
Аккумулятор WORTEX CBL 1840-1 18.0 В, 4.0 Ач, Li-Ion ALL1,  
Аккумулятор WORTEX CBL 1860 18.0 В, 6.0 Ач, Li-Ion ALL1,  
Зарядное устройство WORTEX FC 2115-1,  
Зарядное устройство WORTEX FC 2120-1 ALL1,  
Зарядное устройство WORTEX FC 1515-1 ALL1,  
Зарядное устройство WORTEX FC 2110-1 ALL1,  
Зарядное устройство WORTEX FC 2115-2 ALL1,  
Зарядное устройство WORTEX FC 2120-2 ALL1.

## Правила по технике безопасности

СОХРАНИТЕ ЭТУ ИНСТРУКЦИЮ

Культиватор предназначен для вскапывания/разрыхления почвы на небольших площадях с целью уничтожения сорняков и обогащения почвы кислородом. Запрещается использовать культиватор на необработанной земле, а также для вспахивания дерна, необходимо предварительно обработать, вспахать почву и удалить с нее посторонние предметы.

# **WORTEX** Operation and maintenance instructions

## Cordless cultivator

**ВНИМАНИЕ!** Использование культиватора в любых других целях, не предусмотренных настоящим руководством, является нарушением условий безопасной эксплуатации и прекращает действие гарантийных обязательств поставщика. Производитель и поставщик не несут ответственности за повреждения, возникшие вследствие использования культиватора не по назначению.

Внимательно прочтите данное руководство. Ознакомьтесь с устройством культиватора, прежде чем приступать к эксплуатации. Ознакомьтесь с работой рычагов управления. Знайте, что делать в экстренных ситуациях. Обратите особое внимание на информацию, которой предшествуют следующие заголовки:

**ПРЕДУПРЕЖДЕНИЕ!** Указывает на опасную ситуацию, которая, если ее не избежать, может привести к смертельному исходу или получению серьезных травм.

**ОСТОРОЖНО!** Указывает на опасную ситуацию, которая, если ее не избежать, может привести к получению травм средней тяжести.

**ВНИМАНИЕ!** Обозначает вероятность повреждения оборудования при несоблюдении инструкций по эксплуатации изделия.

### **Общие правила безопасности при работе с электроинструментом**

- Электроинструмент является оборудованием повышенной опасности. Пользуйтесь электроинструментом так, чтобы не подвергаться опасности получения травмы. Перед началом работы внимательно изучите правила техники безопасности при работе с электроинструментом.

Несовершеннолетние лица к работе с культиватором не допускаются. При работе не допускайте присутствие в рабочей зоне детей, посторонних лиц и животных. Безопасная рабочая зона должна быть не менее 15 метров.

- Пользователь культиватора отвечает за возможность возникновения опасности, угрожающей другим лицам или их имуществу!
- Тщательно осмотрите площадку, на которой будет использоваться культиватор, и удалите все предметы, которые он способен отбросить.
- Работать с культиватором должны отдохнувшие, здоровые люди, в хорошем физическом состоянии. Запрещается работать культиватором после употребления алкоголя, или лекарств, нарушающих реакцию и координацию движений.
- Не вносите какие-либо изменения в конструкцию культиватора, так как это может явиться причиной несчастного случая или повреждения устройства.
- Во время работы всегда пользуйтесь защитными очками.
- Необходимо надевать плотную, безопасную обувь на нескользящей подошве.
- Не используйте культиватор, если не работает рычаг выключателя двигателя.
- Не используйте никаких иных режущих приспособлений с данным культиватором, кроме тех, которые рекомендованы производителем, потому что это может вызвать серьезные травмы, либо повредить механизм.
- Перед включением двигателя убедитесь, что фрезы культиватора не соприкасаются с посторонними предметами.
- Проверьте культиватор на отсутствие незакрепленных частей (гаек, болтов, винтов и т.п.)



**ОСТОРОЖНО!** Не подставляйте во время работы руки или ноги под фрезы. Опасность получения тяжелой травмы.

- Всегда отключайте двигатель при переходе для работы на другую площадку.
- Не пытайтесь очистить фрезы во время их вращения. Сначала выключите двигатель и дождитесь полной остановки фрез.



**ВНИМАНИЕ!** При ударе о камень или иной посторонний предмет немедленно отключите двигатель и проверьте состояние фрез. Не используйте для работы поврежденные фрезы.

- Работайте культиватором только при дневном свете или хорошем искусственном освещении.
- Во время работы всегда сохраняйте устойчивое положение тела.
- Никогда не проводите настройки и регулировки при работающем двигателе культиватора.
- При работе на склоне двигайтесь всегда поперек склона.
- Сохраняйте рукоятки культиватора во время работы сухими и чистыми.

# **WORTEX** Operation and maintenance instructions Cordless cultivator

- Регулярно проводите осмотр и обслуживание культиватора.
- Необходимо избегать частых включений в течение короткого периода времени, особенно, не допускать возможности «играть» с выключателем.

## **Правила безопасности при обслуживании аккумуляторного инструмента**

- Перед началом работы включите устройство на 30 секунд без нагрузки. При обнаружении чрезмерной вибрации, посторонних шумов, повышенного искрения или иных неполадок немедленно выключите устройство; Обратитесь в сервис для устранения неисправности.
- Немедленно выключите электромотор и извлеките аккумуляторный блок, если инструмент заденет ограду или другой твердый предмет. Проверьте режущий блок на предмет повреждений, если они имеются – незамедлительно устраните.
- Ремонт и сервисное обслуживание своего аккумуляторного инструмента доверяйте только авторизованным сервисным центрам и квалифицированному персоналу, использующему только оригинальные запасные части. Попытка неквалифицированного ремонта, внесение изменений в конструкцию устройства не гарантирует дальнейшую корректность работы и безопасность инструмента.

## **Рабочее Место**

Не подвергайте изделие воздействию атмосферных осадков, сырости, влажности.

- Электроинструменты создают искры, которые могут привести к возгоранию пыли, пара, легковоспламеняющихся жидкостей и газов.
- Держите детей, и посетителей на безопасном расстоянии от работающих электроинструментов, не допускайте их в зону работы.
- Если инструменты не используются, их необходимо хранить в сухом и закрытом месте, недоступном для детей.
- Перед началом работы проверяйте рабочую зону на наличие скрытых коммуникаций (газопровода, водопровода, электрической или телефонной проводки и т.д.).
- Не допускайте механических повреждений, ударов, падения инструмента на твердые поверхности и т.п.
- Оберегайте инструмент от воздействия интенсивных источников тепла или химически активных веществ, а также от попадания жидкостей и посторонних твердых предметов внутрь изделия.

## **Электробезопасность**

Используйте только оригинальные аккумуляторы. Использование несовместимых аккумуляторов может привести к выходу из строя инструмента, травмам и пожарной опасности.

Заряжайте аккумуляторы только в оригинальном зарядном устройстве. Применение сторонних зарядных устройств может привести к выходу из строя аккумулятора.

Не разбирайте зарядное устройство.

**Используйте соответствующее напряжение питания для зарядки батареи:** напряжение питания должно соответствовать информации, указанной в технических характеристиках устройства.

Аккуратно обращайтесь с электрошнуром зарядного устройства. Никогда не используйте шнур, чтобы нести зарядное устройство или тянуть штепсель из розетки. Держите шнур вдали от высокой температуры, масляных жидкостей, острых граней или движущихся частей. Замените поврежденный шнур немедленно в ближайшем сервисном центре.



Не вскрывайте ни при каких условиях аккумулятор. Это может привести к травмам, химическим ожогам, короткому замыканию и даже пожару! Не подвергайте электроинструмент воздействию дождя или влажным условиям.

## **Аварийные ситуации**

**Ознакомьтесь с правилами использования этого изделия, прочитав настоящее руководство. Запомните инструкции по технике безопасности и точно соблюдайте их. Это поможет предотвратить риск и опасности.**

1. Будьте внимательны, пользуясь этим инструментом, чтобы своевременно определить и устранить риски. Быстрое вмешательство может предотвратить серьезные травмы или нанесение материального ущерба.

# **WORTEX** Operation and maintenance instructions Cordless cultivator

2. При любой неисправности выключайте инструмент. Прежде чем снова использовать инструмент, отдайте его на проверку квалифицированному специалисту и при необходимости отремонтируйте.

**Предупреждение!** Этот инструмент создает во время работы электромагнитное поле! Это поле в определенных обстоятельствах может мешать работе активных или пассивных медицинских имплантатов. Чтобы сократить риск серьезных или смертельных травм, перед использованием этого изделия лица с медицинскими имплантатами должны проконсультироваться с врачом и производителем медицинского имплантата.

**Используйте соответствующее напряжение питания для зарядки батареи:** Напряжение питания должно соответствовать информации, указанной в технических характеристиках устройства.

Следует немедленно прекратить эксплуатацию устройства в случаях:

1. Поврежденный или сломанный выключатель (не включает или не выключает устройство).
2. Появление дыма или запаха гари.

## **Подготовка к эксплуатации**

### **Зарядка аккумулятора**

**Обратите внимание на правильное напряжение сети!**

Напряжение источника тока должно совпадать с данными на фирменной табличке зарядного устройства. Уровень заряда можно проверить на индикаторе аккумулятора.



При зарядке аккумулятора емкостью 2Ач, ориентировочное время заряда – до 1,5 часов. Для аккумулятора емкостью 4Ач – до 3 часов. Время может отличаться в зависимости от температуры окружающей среды и напряжения питающей сети.

**Для зарядки аккумулятора выполните следующие действия:**

- Извлеките аккумулятор из инструмента. Для этого надавите на фиксатор аккумулятора и потяните аккумулятор;
- Подключите аккумулятор к зарядному устройству, входящему в комплект;
- Убедитесь, что питающая сеть соответствует следующим требованиям: ~230В / 50 Гц. Подключите зарядное устройство к питающей сети.

**Для зарядки аккумулятора используйте только оригинальное зарядное устройство WORTEX.**

**Рекомендации по эксплуатации аккумуляторов:**

- Данные аккумуляторы сконструированы по технологии Li-Ion.
- Данный тип аккумуляторов не обязательно заряжать полностью.
- Не рекомендуется глубоко разряжать аккумулятор.
- Не храните данный аккумулятор в разряженном состоянии.
- Не подвергайте аккумулятор воздействию высокой температуры, прямого солнечного света, влаги. Не бросайте и не роняйте аккумулятор.
- Не пытайтесь вскрывать и ремонтировать аккумулятор.
- Не замыкайте контакты аккумулятора.
- Если индикатор зарядного устройства не отключился по истечении указанного времени зарядки, остановите процесс зарядки и обратитесь в сервисный центр.

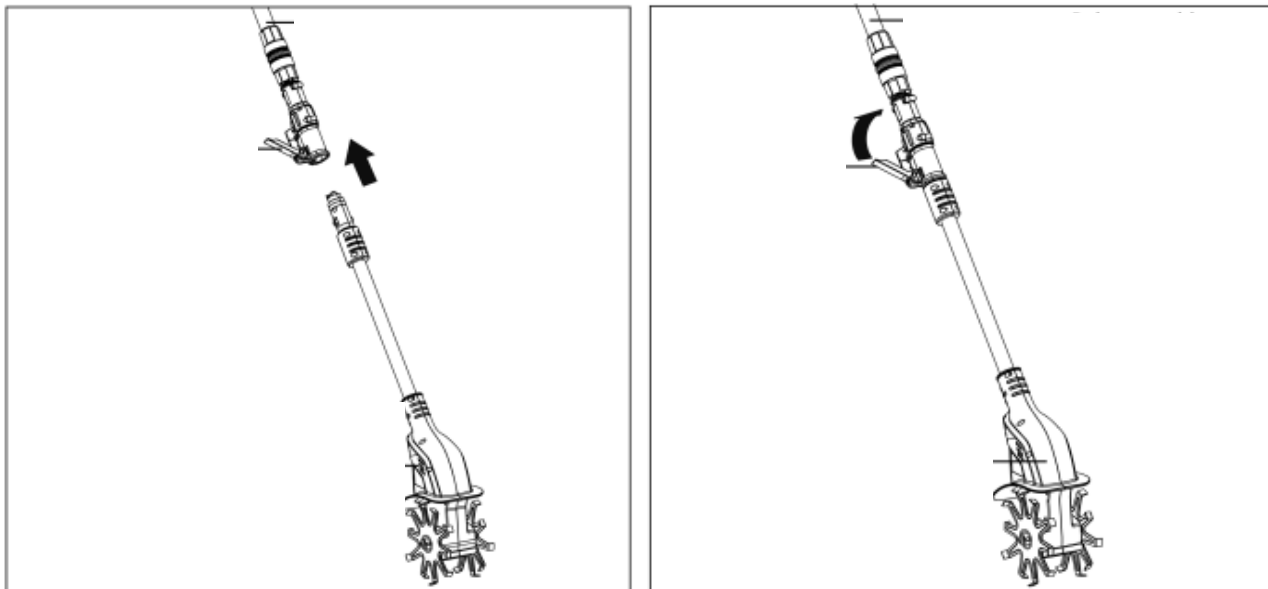
**ВНИМАНИЕ!** Если в процессе эксплуатации аккумулятор разрядился и инструмент остановился, не нажимайте повторно курковый выключатель – это может привести к сокращению срока службы или выходу из строя аккумулятора. Зарядите аккумулятор перед дальнейшей эксплуатацией.

**Важно!** При падении заряда батареи увеличивается риск срабатывания защитной системы двигателя культиватора. Рекомендуется не допускать глубокой разрядки аккумулятора.

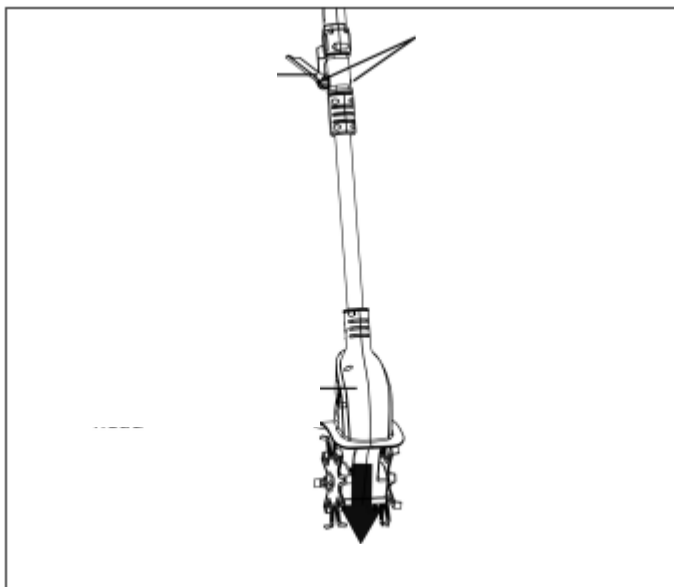
## Сборка

**ОСТОРОЖНО!** Сборку необходимо осуществлять без подсоединенного аккумулятора. Культиватор должен быть полностью собран перед началом использования.

Соедините две части телескопической штанги и зафиксируйте как показано на рисунках ниже:



Для отсоединения нижней части штанги от верхней разблокируйте фиксатор, одновременно нажмите на дополнительные кнопки фиксации по бокам и потяните нижнюю часть штанги вниз как показано на рисунке ниже:



## Эксплуатация

**Внимание!** Режим работы электроинструмента: S2 (30 минут работа, 15 минут перерыв).

### Установка/извлечение аккумуляторов

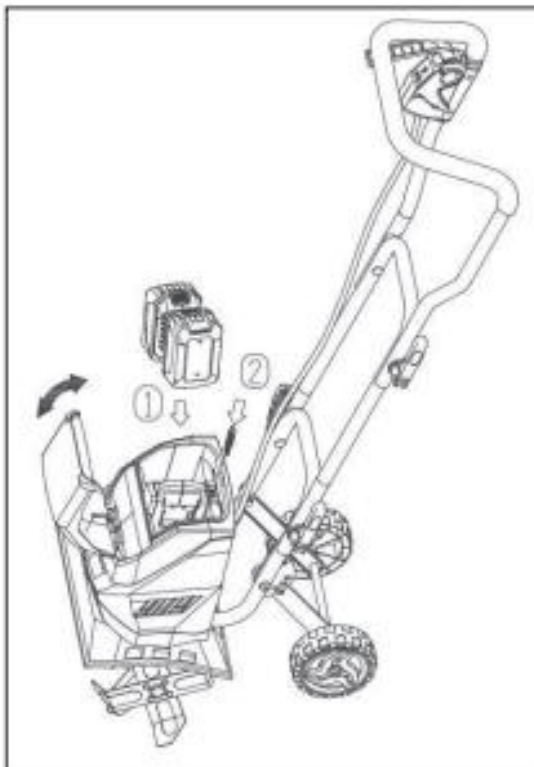
# **WORTEX** Operation and maintenance instructions Cordless cultivator

1. Откройте крышку отсека для аккумуляторных батарей (6), совместите направляющие ребра на аккумуляторе с пазами в отсеке для аккумуляторных батарей, сдвиньте батарею вертикально вниз.

**Примечание:** перед началом работы убедитесь, что защелка на нижней части батареи защелкнута и аккумуляторы полностью установлены и надежно закреплены в устройстве.

2. Вставьте предохранительный ключ в гнездо и закройте крышку отсека аккумуляторных батарей (6).

**Внимание:** если вы не собираетесь пользоваться инструментом сиюминутно, то не вставляйте предохранительный ключ!



Для того чтобы извлечь аккумуляторы, сделайте следующее:

1. Достаньте предохранительный ключ;
2. Нажмите и удерживайте кнопку защелки аккумуляторной батареи, которая расположена в нижней части батареи.
3. Извлеките аккумуляторные батареи из устройства.

## **Включение / Выключение**

Для предотвращения случайного включения устройства предусмотрена кнопка блокировки включения (12).

Чтобы запустить культиватор нажмите кнопку (12) и затем жмите на рычаг включения (13).

Культиватор будет продолжать работать все время, пока Вы нажимаете на рычаг выключателя (13).

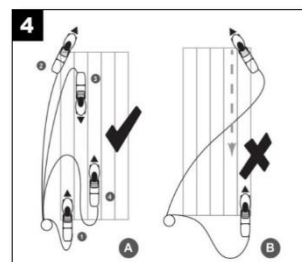
Чтобы остановить культиватор, необходимо отпустить рычаг выключателя (13).

**Внимание!** После того, как устройство выключено (отпущен рычаг включения), диски (фрезы) некоторое время продолжают вращаться!

## **Работа**

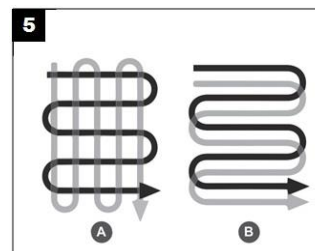
**Внимание!** Запрещается использовать культиватор на необработанной земле, а также для вспахивания дерна, необходимо предварительно обработать, вспахать почву и удалить с нее посторонние предметы.

Возьмитесь за рукоятки культиватора двумя руками. Включите культиватор, как описано выше. Поместите кабель удлинителя вблизи начальной точки (рис. 4 А, позиция 1).



## **WORTEX** Operation and maintenance instructions Cordless cultivator

- Обрабатывайте участок в последовательности, как показано на рис. 4 А:
- продвигайтесь от позиции 1 до позиции 2;
- поверните направо и продолжайте работать до позиции 3;
- поверните налево и продолжайте работать до позиции 4;
- повторяйте эти операции в том же порядке, все время, удаляясь от кабеля.



**Внимание!** Запрещен способ обработки, где продвижение культиватора идет в направлении кабеля, что сопряжено с опасностью его повреждения (рис.4 В).

Оптимальные схемы культивации участка показаны на рис. 5.

**Внимание!** В случае попадания фрез на посторонний предмет отпустите рычаг включения (13).

### **Рекомендации**

Включайте машину только после доставки ее к месту эксплуатации. Всегда удерживайте машину двумя руками.

Во избежание повреждения удлинителя кабеля, следите, чтобы он всегда находился сзади вас.

Движение машины вперед осуществляется под действием фрез.

Фрезы должны погружаться в грунт медленно.

Не забудьте перед началом эксплуатации отрегулировать высоту рамы опорных колес.

При глубокой обработке грунта наиболее эффективным методом является движение культиватора сначала вперед на расстояние вытянутых рук, затем подтягивание его в обратном направлении (к себе), после чего снова повторить те же действия.

Фрезы должны всегда работать на максимальной скорости. Не допускайте перегрузок.

Если фрезы зарываются глубоко в грунт, извлекайте их, покачивая машину из стороны в сторону и притормаживая, пока они не освободятся.

### **Очистка фрез**

После каждого использования чистите дно культиватора в области дисков. Грязь лучше смывается с лезвий, если это производится сразу после использования, а не после высыхания.

1. Выключите двигатель. Отсоедините провод от розетки.
2. Уберите растительность, веревки, провода и другие материалы, которые могут намотаться на ось.
3. Всегда насухо вытирайте культиватор после работы и применяйте тонкий слой масла или силикона для фрез во избежание появления ржавчины и повреждения от воды.
4. Не работайте тупыми ножами, заменяйте их в специализированном сервисном центре.

## **Техническое обслуживание**

**ВНИМАНИЕ!** Перед выполнением всех работ по техобслуживанию и прочих операций с дисками необходимо отключить инструмент от сети.

- Никогда не прикасайтесь к фрезам, пока фрезы полностью не остановятся.
- Работайте всегда в перчатках. Для проведения технического обслуживания, ремонта или замены отдельных узлов используйте только оригинальные расходные материалы и запасные части, рекомендованные заводом-изготовителем.

**ВНИМАНИЕ!** Использование неоригинальных запасных частей, или запасных частей, не обладающих соответствующим качеством, может привести к повреждению культиватора и не подлежит гарантийному ремонту.

- После каждого использования удаляйте с культиватора грязь и траву.
- Перед длительным хранением, для предотвращения коррозии, покройте все металлические части смазкой.
- Для очистки пластмассовых деталей пользуйтесь влажной тряпкой. При сильных загрязнениях можно воспользоваться сжатым воздухом для очистки.

## **WORTEX** Operation and maintenance instructions Cordless cultivator

- Для очистки не используйте химически активные вещества (кислоты, щелочи), особенно растворители, бензин, аммиак, т.к. они способны повредить устройство, а также острые предметы.
- Регулярно очищайте вентиляционные отверстия и подвижные детали от пыли и грязи.
- Если фрезы изношены или сломаны, их необходимо заменить в авторизованном сервисном центре. Отсутствие должного ухода за фрезами приводит к снижению эффективности культивации или перегрузке двигателя. При работе с фрезами всегда используйте защитные перчатки.
- Все зубчатые передачи поставляются с заводской смазкой. Однако один раз в год необходимо проводить смазку редуктора в авторизованном сервисном центре.
- После каждого использования культиватора необходимо тщательно очищать от остатков травы. Аккуратное обслуживание устройства защищает ее от повреждений и увеличивает срок службы.

### **Хранение и утилизация**

- Помещение для хранения должно быть сухим и не пыльным. Кроме того, устройство следует хранить в недоступном для детей месте. Возможные неисправности на устройстве следует устранять, перед установкой машины на хранение, чтобы она находилась всегда в состоянии готовности к эксплуатации. Для экономии места рукоятка может быть сложена. Не пережимайте кабель при складывании рукоятки.

Культиватор не относится к обычным бытовым отходам. В случае утилизации необходимо доставить ее к месту приема соответствующих отходов. Упаковку и упаковочные материалы инструмента следует сдавать для переработки. Упаковку следует утилизировать без нанесения экологического ущерба окружающей среде в соответствии с действующими нормами и правилами. Настоящее руководство по эксплуатации изготовлено из макулатуры.

### **КРИТЕРИИ ПРЕДЕЛЬНЫХ СОСТОЯНИЙ, КРИТИЧЕСКИЕ ОТКАЗЫ И ДЕЙСТВИЯ ПЕРСОНАЛА**

#### **Ошибочные действия персонала, которое приводят к инциденту или аварии**

Для предотвращения ошибочных действий, персоналу перед началом использования необходимо внимательно изучить руководство по эксплуатации. Выполнение требований и рекомендаций руководства по эксплуатации предотвратит возможные ошибочные действия при работе с устройством, обеспечит оптимальное функционирование аппарата и продление срока его службы.

#### **Основные ошибочные действия**

Начало эксплуатации устройства без прочтения руководства по эксплуатации и ознакомления с устройством нагревателя.

Оставление работающего устройства без присмотра.

Допуск к использованию устройством лицами (включая детей) с пониженными физическими, чувственными или умственными способностями или при отсутствии у них жизненного опыта или знаний.

Неиспользование при эксплуатации устройства средств индивидуальной защиты (наушники, очки или защитную маску).

#### **Перечень критических отказов**

Выход из строя элементов управления.

Выход из строя основных силовых компонентов.

Критическое повреждение элементов корпуса.

#### **Действия персонала в случае инцидента, критического отказа или аварии**

В случае инцидента, критического отказа и (или) аварии следует прекратить дальнейшие работы и оценить причину инцидента.

При отказе оборудования, и отсутствии информации в инструкции по эксплуатации по устранению неполадки необходимо обратиться в сервисную службу.

Замена изношенных частей должна производиться квалифицированными специалистами сервисной службы.

#### **Критерии предельного состояния**

Критериями предельного состояния устройства считаются поломки (износ, коррозия, деформация, старение, трещины или разрушения) узлов и деталей или их совокупность при невозможности их

# **WORTEX** Operation and maintenance instructions Cordless cultivator

устранения в условиях авторизованных сервисных центров оригинальными деталями или экономическая нецелесообразность проведения ремонта. Устройство и его детали, вышедшие из строя и не подлежащие ремонту, необходимо сдать в специальные приёмные пункты по утилизации.

## **Устранение неисправностей**

<b>Характерные неисправности</b>	<b>Вероятные причины</b>	<b>Методы устранения</b>
Двигатель не запускается	Нет электричества	Проверьте подключение к сети
	Неисправный кабель	Проверьте кабель, замените кабель на новый в специализированном сервисном центре
	Неисправный выключатель / штепсельная вилка / розетка.	Проверьте вилку и розетку. Замените кабель, розетку или выключатель на новый в специализированном сервисном центре
	Сработала защита от перегрева	Дайте двигателю остыть около 15 минут. (Рабочая глубина слишком большая - используйте меньшую глубин, лезвия ножей заблокированы посторонним предметом - удалите посторонние предметы в почве, почва слишком твёрдая или вязкая - выберите нужную глубину обработки и пройдите этот участок вперед и назад несколько раз)
Чрезмерный или нетипичный шум	Заклинивание фрез	Допускается через 15 минут. Выключите культиватор и дайте полностью остановиться фрезам. Удалите посторонние предметы.
	Отсутствие смазки в редукторе	Обратитесь в авторизованный сервисный центр, имеющий полномочия от производителя
	Ослабление болтовых соединений, гаек или защитных элементов	Затяните все необходимые компоненты или обратитесь в специализированный сервисный центр
Чрезмерная вибрация	Слишком большая глубина обработки почвы	Установите правильную рабочую глубину обработки
	Фрезы повреждены или изношены	Замените фрезы или обратитесь в авторизованный сервисный центр, имеющий полномочия от производителя
Низкая эффективность работы	Слишком малая глубина обработки почвы	Установите правильную глубину
	Чрезмерный износ фрез	Замените фрезы или обратитесь в авторизованный сервисный центр, имеющий полномочия от производителя

**ВНИМАНИЕ!** Для вашей собственной безопасности никогда не производите демонтаж/монтаж/замену деталей или аксессуаров электроинструмента во время работы устройства. В случае неисправности или повреждений электроинструмента обращайтесь в ремонт только в специализированные сервисные центры.

## Гарантийное обязательство

Для инструмента **WORTEX** предусмотрена гарантия в соответствии с законами и специфическими особенностями каждой страны. Если законодательством не установлены сроки гарантийного обслуживания, их устанавливает торговое представительство, которое занимается реализацией нашей продукции.

Началом гарантийного срока является дата продажи инструмента, а подтверждением – правильно заполненный гарантийный талон, наличие товарного чека или документа, заменяющего его.

Для осуществления гарантийного обслуживания вам необходимо обратиться в ближайший сервисный центр, осуществляющий ремонт нашего инструмента. Список сервисных центров приведен в конце данной инструкции.

При сдаче инструмента в сервисный центр нужно представить его в чистом виде с указанием дефекта, в оригинальной упаковке, с инструкцией по эксплуатации и заполненным гарантийным талоном, а также товарным чеком или документом, заменяющим его.

Дефекты сборки изделия, допущенные по вине изготовителя, устраняются бесплатно после проведения сервисным центром диагностики изделия.

Если неисправность произошла по вине пользователя, стоимость услуг по ремонту перенимает на себя пользователь.

Сроки выполнения работ зависят от сложности устранения причины дефекта и устанавливаются сервисным центром, который принял инструмент в ремонт.

Гарантийное обслуживание не производится в следующих случаях:

- Использования инструмента в целях, не предусмотренных инструкцией по эксплуатации;
- Отсутствия:
  1. Правильно заполненного гарантийного талона, товарного чека, подтверждающего дату покупки и срок гарантии, или другого документа, заменяющего его;
  2. Инструкции по эксплуатации, наклейки на инструменте с серийным номером завода-изготовителя;
- Естественного износа механизмов и узлов, имеющих ограниченный период работоспособности;
- Профилактики и замены быстроизнашиваемых деталей;
- Перегрузки или интенсивного использования, следствием которых являются:
  1. одновременный выход из строя одного или более функционально связанных деталей и узлов;
  2. сгорание, обугливание, оплавление под воздействием высокой внутренней температуры деталей (нагревательные элементы, кнопки, провода, корпуса);
- механических повреждений, наличия внутри инородных предметов;
- вскрытия, а также ремонта, который был произведен не специалистами сервисных центров, ремонтирующих инструмент **WORTEX**.

Гарантия не распространяется на расходные материалы и принадлежности, которые частично входят в комплект поставки.

Взаимоотношения между потребителем и изготовителем при выявленных неисправностях изделия осуществляются в соответствии с законом «О защите прав потребителей».

В случае использования инструмента в производственных целях сроки гарантийного обслуживания могут быть сокращены.

**Гарантийный срок – 12 месяцев.**

**Производитель:** ECO GROUP HONG KONG LIMITED, UNIT 617, 6/F, 131-132 CONNAUGHT ROAD WEST, SOLO WORKSHOPS, HONG KONG, на заводе-производителе в для компании Wortex (Германия).

**Импортер в Республику Беларусь:** ООО «ТД Комплект», Республика Беларусь, 220103, г. Минск, ул. Кнорина 50, к. 302А, Тел.: +375-17-511-33-33. Сайт: [tools.by](http://tools.by).

**Импортер в Российскую Федерацию:** ООО «САДОВАЯ ТЕХНИКА И ИНСТРУМЕНТЫ», 105082, г. Москва, ул. Большая Почтовая, дом № 40, строение 1, этаж 3, комната 7А. Сайт: [stiooo.ru](http://stiooo.ru).

**Импортер в Республику Казахстан:** Товарищество с ограниченной ответственностью "ECO Group Kazakhstan (ЭКО Групп Казахстан)", Казахстан, город Алматы, Алмалинский район, улица Байзакова, здание 222. Сайт: [ecogr.kz](http://ecogr.kz)

**Сертификат соответствия № ЕАЭС RU С-НК.МЕ68.В.00258/22.**

# **WORTEX** Operation and maintenance instructions Cordless cultivator

**Срок действия по 26.12.2027.**

Срок службы изделия – 5 лет при его правильной эксплуатации.  
По истечении срока службы необходимо произвести техническое обслуживание квалифицированными специалистами в сервисной службе за счет владельца, с удалением продуктов износа и пыли.  
Использование изделия по истечении срока службы допускается только в случае его соответствия требованиям безопасности данного руководства.  
В случае если изделие не соответствует требованиям безопасности, его необходимо утилизировать.  
Изделие (в том числе аккумуляторы) не относится к обычным бытовым отходам. В случае утилизации необходимо доставить его к месту приема соответствующих отходов.

**Дата производства (месяц и год) указана на этикетке на корпусе изделия.**

**С условиями гарантийного обслуживания ознакомлен(а).**

**При покупке изделие было проверено.**

**Претензий к упаковке, комплектации и внешнему виду не имею.**

**Подпись покупателя** \_\_\_\_\_

**Гарантийные талоны**

**ДЕЙСТВИТЕЛЕН ПРИ ЗАПОЛНЕНИИ**  
**ТАЛОН №1**  
**на гарантийный ремонт**

(модель: \_\_\_\_\_)

Серийный номер: \_\_\_\_\_

**Заполняет торговая организация:**

Продан: \_\_\_\_\_

(наименование и адрес предприятия)

Дата продажи: \_\_\_\_\_

Продавец: \_\_\_\_\_

(подпись)

Место  
для  
печати

\_\_\_\_\_  
(ФИО)

**ДЕЙСТВИТЕЛЕН ПРИ ЗАПОЛНЕНИИ**  
**ТАЛОН №2**  
**на гарантийный ремонт**

(модель: \_\_\_\_\_)

Серийный номер: \_\_\_\_\_

**Заполняет торговая организация:**

Продан: \_\_\_\_\_

(наименование и адрес предприятия)

Дата продажи: \_\_\_\_\_

Продавец: \_\_\_\_\_

(подпись)

Место  
для  
печати

\_\_\_\_\_  
(ФИО)

**WORTEX** Operation and maintenance instructions  
Cordless cultivator

**Заполняет ремонтное предприятие:**

\_\_\_\_\_ (наименование и адрес предприятия)

\_\_\_\_\_

\_\_\_\_\_

Исполнитель: \_\_\_\_\_ (\_\_\_\_\_) (\_\_\_\_\_) (подпись) (ФИО)

Владелец: \_\_\_\_\_

\_\_\_\_\_

\_\_\_\_\_ (\_\_\_\_\_) (\_\_\_\_\_) (подпись владельца) (ФИО)

Дата ремонта:

Утверждаю: \_\_\_\_\_ (подпись)

\_\_\_\_\_ (должность)

\_\_\_\_\_ (ФИО руководителя ремонтного предприятия)

Место для печати
------------------------

**Заполняет ремонтное предприятие:**

\_\_\_\_\_ (наименование и адрес предприятия)

\_\_\_\_\_

\_\_\_\_\_

Исполнитель: \_\_\_\_\_ (\_\_\_\_\_) (\_\_\_\_\_) (подпись) (ФИО)

Владелец: \_\_\_\_\_

\_\_\_\_\_

\_\_\_\_\_ (\_\_\_\_\_) (\_\_\_\_\_) (подпись владельца) (ФИО)

Дата ремонта:

Утверждаю: \_\_\_\_\_ (подпись)

\_\_\_\_\_ (должность)

\_\_\_\_\_ (ФИО руководителя ремонтного предприятия)

Место для печати
------------------------

## Сервисные центры

**Полный актуальный список сервисных центров смотрите на сайте**

**Республика Беларусь**



[remont.tools.by/address](http://remont.tools.by/address)

**Российская Федерация**



[remont.tools.by/services/ru](http://remont.tools.by/services/ru)

**другие страны**



[remont.tools.by/services/other](http://remont.tools.by/services/other)

Сервисные центры в Республике Беларусь. Горячая телефонная линия импортера: +375 (44) 554-05-12, +375 (29) 532-26-62.

**Минск**, ул. Машиностроителей, 29А, +375 (17) 33-66-556, +375 (29) 325-85-38 (+Viber). Режим работы для физических лиц: пн-пт 9:00-19:00. ООО "Ремонтинструмента" **Брест**, ул. Краснознаменная, 8, +375 (29) 168-20-72, +375 (29) 820-07-06. ООО "Ремонт инструмента" **Витебск**, ул. Двинская, 31, +375(212)65-73-24, +375 (29) 168-40-14. **Гомель**, ул. Карбышева, 9, +375 (44) 492-51-63, +375(25)743-35-19. ООО "Ремонт инструмента" **Гродно**, ул. Гаспадарчая, 23а, +375 (152) 43-63-68, +375 (29) 169-94-02. ООО "Ремонт инструмента" **Могилев**, ул. Вишневецкого, 8А, к. 1-3, +375 (222) 709-877, +375 (29) 170-33-94. ООО "Ремонт инструмента"

Адреса сервисных центров в Российской Федерации. Горячая телефонная линия импортера: +7 (495) 748-50-80. WhatsApp, Telegram, Viber: +375 (44) 554-05-12.

**Астрахань**, ул. 5-я Литейная, д.30, 8 (989) 791-00-11. ИП Киревнина Е.В. **Барнаул**, ул. 1-я Западная, 50, +7 (962) 814-60-44. ООО ЮМА. **Белгород**, ул. Есенина, 8, 8 (980) 384-53-23, ООО «Техно». **Белгород**, ул. Студенческая, 28, офис 29, 8 (4722) 41-73-75. ООО «Спектр-сервис». **Бор**, пер. Полевой, 2, оф.13, +7 (908) 161-99-51, ИП Заболотный С.В. **Боровичи**, ул. Ленинградская, 27, +7 (921) 020-17-17, ИП Чернышенко Р.А. **Боровичи**, ул. Ленинградская, 40, 8 (81664) 4-48-27.ИП Кульчев В.Б. **Брянск**, ул. Флотская, 99А, 8 (919) 190-94-67, ИП Тимошкин С.Н. **Великий Новгород**, ул. Большая Санкт-Петербургская, 39, стр.11. 8 (8162) 332-043. ООО «РемСервис». **Великий Новгород**, ул. Большая Санкт-Петербургская, 9, стр.11, +7 (8162) 50-00-38, +7 (8162) 60-10-61, ООО «Аква драйв». **Владимир**, ул. Куйбышева, 26, 8 (930) 745-54-65. ИП Позволев И.К. **Волгоград**, ул. Борьбы, 5, +7 (906) 169-80-36. ИП Синицкий В. В. **Волгоград**, ул. Электроресовская, 55, +7 (8442) 46-10-07, ООО «Торгово-сервисный центр "Нижняя Волга-ППК"» **Вологда**, ул. Ярославская, 30, 8 (8172) 71-64-53. СЦ «Бываловский». **Воронеж**, ул. Беговая, 205, оф. 209, 8 (473) 333-0-331. ИП Русин А.А. **Грозный**, ул. Старосунженская, 20, +7 (928) 478-88-40, ИП Садулаев М.С. **Димитровград**, ул. Гоголя, д. 28, 8-84235-72698. ИП Шубин В.Н. **Елец**, Московское шоссе 18к, +7 (906) 594-81-45. Сервисный центр "Партнер". **Ессентуки**, ул. Боргустанское шоссе, 19, 8 (909) 750-32-48, 8 (938) 300-98-97, ИП Астахов А.Е. **Иваново**, ул. Станко, 1, 8 (4932) 45-21-08, 45-21-09. Сервисный центр «ЗУБИЛО Центр». **Иваново**, ул. Станкостроителей, 1Г, 8 (4932) 59-22-44 ИП Стецкий Д.Л. **Казань**, ул. Техническая, 27, 8 (960) 04-888-35; 8(843) 25-888-35; 8-9-656-097-097, Р-Сервис. **Казань**, ул. Яремашева, 51, 8 (987) 296-84-84. ООО «Стэки». **Калуга**, ул. Дзержинского, 58, 2, 8 (4842) 57-58-46; 8(4842) 79-50-60. ООО «ЗВОХ». **Кириши**, пр. Победы, 20, стр. 1., +7-911-127-16-31, ООО «Техно-Сервис». **Киров**, д. Шубино, ул. Тихая, 6, +7 (912) 369-83-54, ИП Мошонкин А.С. **Кострома**, ул. Магистральная, 37, 8 (4942) 53-12-03. ИП Прворов О.В. **Кострома**, ул. Смирнова Юрия, 28 А, корпус 3, +7 (903) 895-03-73, +7 (4942) 30-21-09, ИП Ржаницы И.А. **Краснодар**, ул. Российская, 388 офис 5, 8 (918) 188-52-68. ИП Чепиков А.И. **Краснодар**, ул. Уральская, 134Б, 8 (918) 368-11-90, ИП Зайцев А.С. **Красноярск**, ул. Академика Вавилова, д.1, стр. 50, склад 10, +7 (391) 2-728-768, +7 (923) 294-95-87. ИП Артющенко Е.И. **Кузнецк**, ул. Калинина, 214 маг. «Спецтехника», +7 (937) 424-04-17, ИП Кисурин А.Д. **Курган**, ул. Коли Мяготина, 155-13, +7 (3522) 46-55-33, ИП Кокорин И.С. **Курск**, ул. Александра Невского, 13-В, корп. 2, 8 (4712) 44-60-44. ООО «Дядько». **Липецк**, ул. Мичурина, 46, 8(474) 40-10-72; 8 (952) 598-08-24. ИП Соболев Г.Ю. **Липецк**, ул. Студеновская, 126, +7 (4742) 56-92-00. Сервисный центр «Арсенал». **Лиски**, ул. Коммунистическая, 5, +7 (952) 753-27-35, ИП Мсхаки Махмоуд.

**Лиски**, ул. Коммунистическая, 54, +7 (47391) 4-29-79, ИП Ирхина Л.В. **Москва**, ул. Касимовская вл26, эт. 7 пом. 411, 8 (495) 150-57-49 (доб. 666), 8 (926) 769-30-11, ООО «Олливер». Московская обл., Можайский г.о, д. Язево, 64, 8 (916) 345-46-34. ИП Беркут С.В. **Нижевартовск**, ул. Северная, 39, стр. 8, +7 (3466) 56-57-56, ООО «СВ-АС». **Новосибирск**, ул. Электрозаводская, 2/2, оф. 20, 8 (913) 928-78-86. ИП Картышев А.А. **Новосибирск**, ул. Волочаевская, 64 к1, (383) 325-11-49. ИП Ванеева Г.М. **Окуловка**, ул. М. Маклая, 41, +7

## **WORTEX** Operation and maintenance instructions Cordless cultivator

(81657) 2-13-61, ИП Карышев А.Е. **Омск**, ул. Заводская, д. 1, 8 (983) 563-33-23, 8 (983) 563-33-83. ООО «СЕРВИС-ПРЕМИУМ». **Оренбург**, ул. 16 линия, 2а, +7 (3532) 45-80-55, ИП Гамов Д.А. **Оренбург**, пр-т. Дзержинского, 2а, 8 (3532) 56-11-44. ООО «Технодром». **Орехово-Зуево**, ул. Ленина, 111, +7 (926) 828-58-16. ИП Потапкин И.В. **Орёл**, ул. Городская, 98-б, +7(4862)71-48-80, 8(4862)71-48-81. ИП Рыбаков И.А. **Пенза**, ул. Перспективная, 1, +7 (8412) 205-540. ИП Загоруйко Е.В. **Петрозаводск**, ул. Попова, 7, 8 (8142) 59-22-02. ИП Федотов Н.Г. **Ростов-на-Дону**, пер. Крепостной 181/3, (863) 266-61-01, 266-61-05, 288-95-97, ИП Писарев С.А. **Рыбинск**, ул. Плеханова, 17, +7 (930) 118-73-01, ИП Тихомирова С.А. **Самара**, ул. Гастелло, 35а, 8 (846) 206-04-64. ООО «ВСС». **Самара**, Совхозный проезд, д. 28, 1 этаж, комната № 10, 8 (846) 214-01-76. ООО «Салмет». **Самара**, ул. Товарная, 70, 8 (846) 931-24-63. ООО «Самара Техсервис». **Санкт-Петербург**, ул. Чернышевского, 15, 8 (812) 572-30-20. ООО «ЭДС». **Саранск**, ул. Строительная, д. 11/1 оф. 101, 8 (927) 276-32-96. ООО «ПРОФИ М». **Саратов**, ул. Гвардейская, 2а, (8452) 53-13-61. ИП Наконечных М.В. **Симферополь**, ул. Аральская, 71/88, 8 (978) 704-69-72. ИП Меринда В.И. **Сочи**, ул.Луначарского 24, 8 (918) 408-94-88, ИП Егоров Д.А. **Старый Оскол**, пр-т Алексея Угарова, 9А, +7 (920) 555 34 89, ООО «Стимул». **Тольятти**, ул. Громовой 33, 8 (917) 123-00-10, ЭКО-ТЕХНИКА. **Томск**, ул. Герцена, 76, 8 (382) 226-44-62, ИП Карпова Н.А. **Тула**, Одоевское шоссе, 78 оф. 1, 8 (4872) 39-23-96. ООО «Инструмент–Сервис». **Тула**, ул. Павшинский мост, 2, 8 (920) 274-71-77. ИП Романов Р.А. **Тюмень**, 2 км. Старотобольского тракта, 8, стр. 97, +7 (922) 260-02-70, +7 (932) 470-64-83, ИП Долматов Р.Ф. **Уфа**, пр-т Октября, д.23/5, +7 (987) 098 43 01, ООО «Согласие». **Уфа**, ул. Трамвайная, 15а, 8 (347) 298-5-222, УфаГаз. **Чебоксары**, Марпосадское шоссе, 9, 8 (8352) 38-02-22. ООО «Новый свет». **Череповец**, Гоголя, 54а, 8 (8202) 28-14-84. ИП Ермолаев Д.И. **Ярославль**, ул. Чкалова, 2, ТД «Эстет» 8 (4252) 79-58-01. ИП Клиническая Е.В.



view all product  
manuals at  
[mymanual.info](http://mymanual.info)

